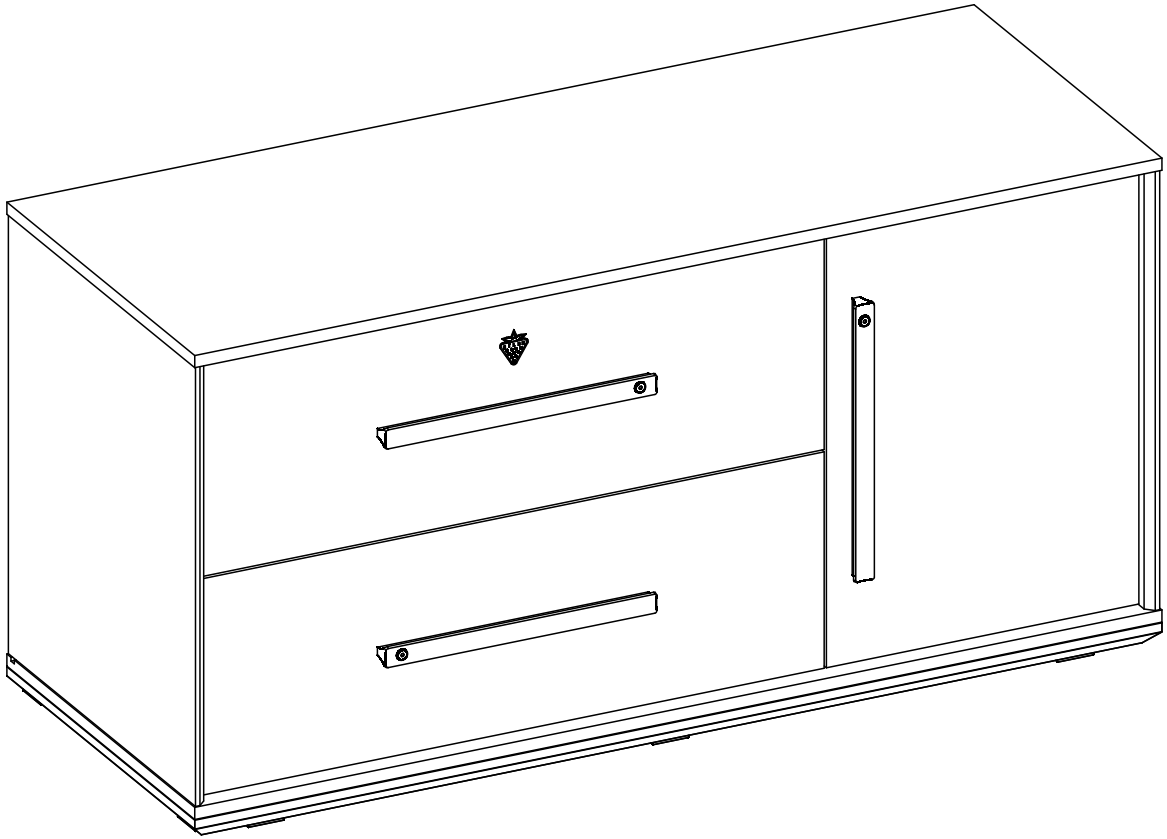
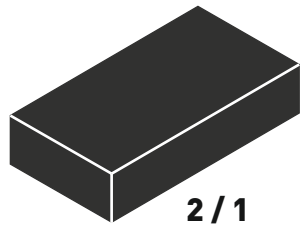
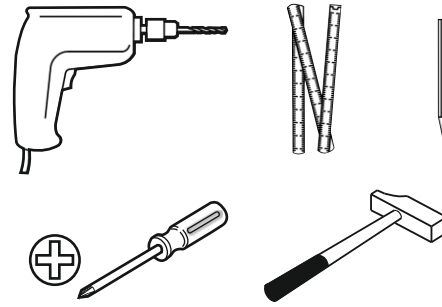
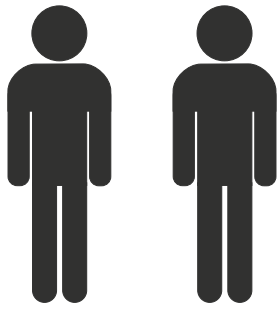
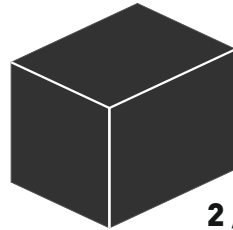


# 20.40.1205.00

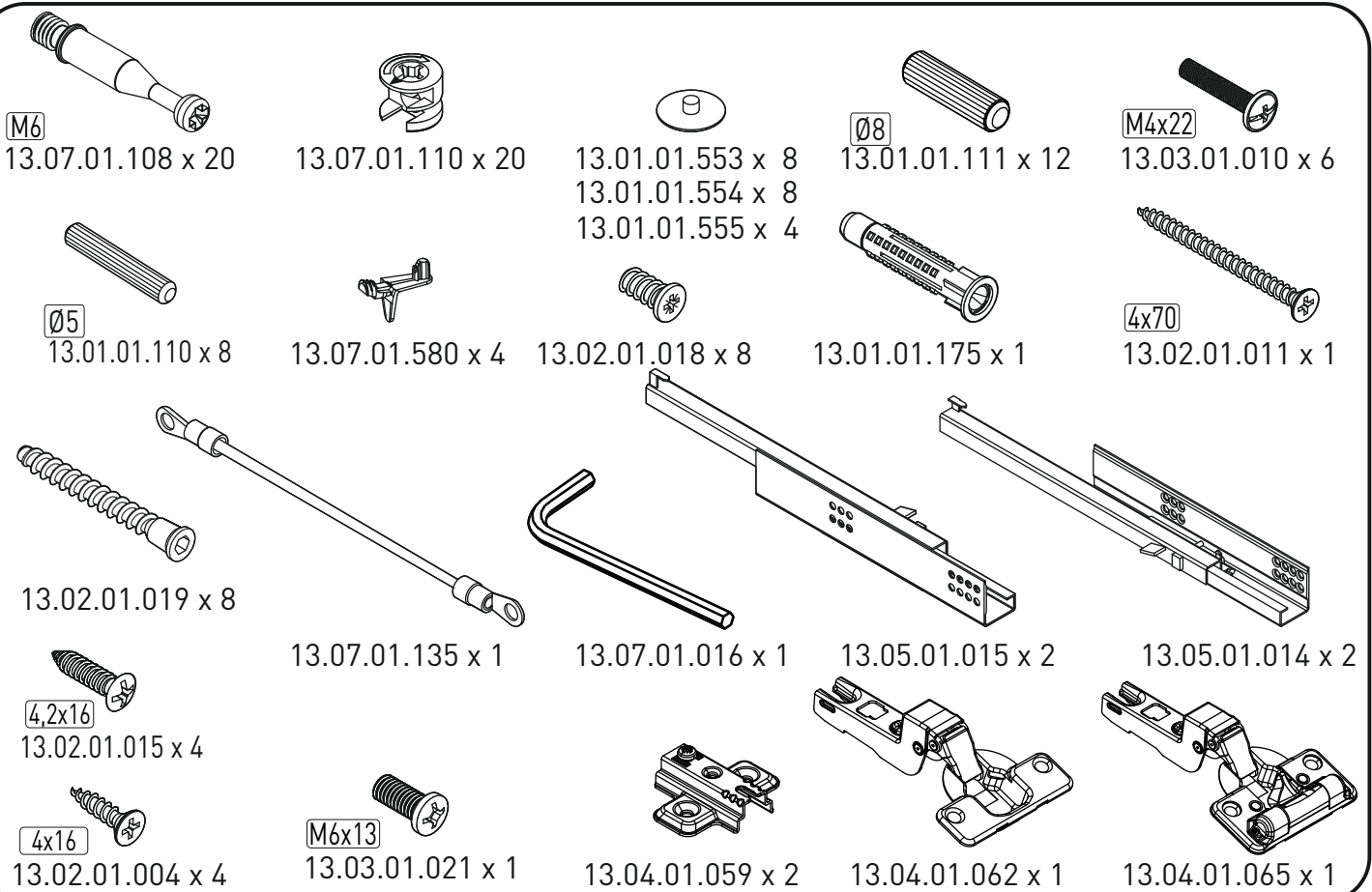




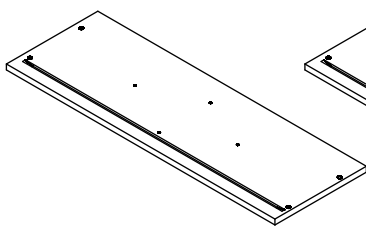
2 / 1



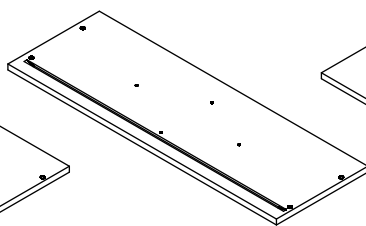
2 / 2



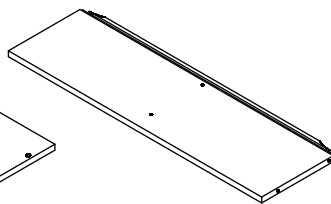
2 / 1



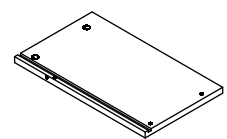
18.40.1205.008 x 1



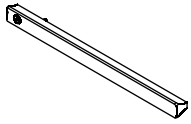
18.40.1205.009 x 1



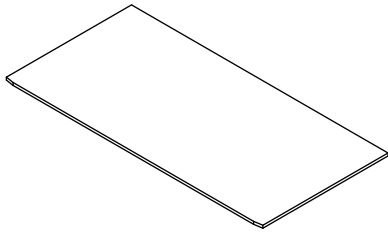
18.40.1205.012 x 2



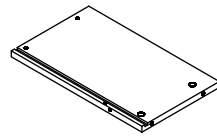
18.40.1205.010 x 2



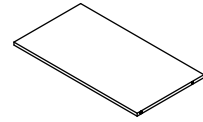
13.06.01.146 x 3



18.40.1205.014 x 2

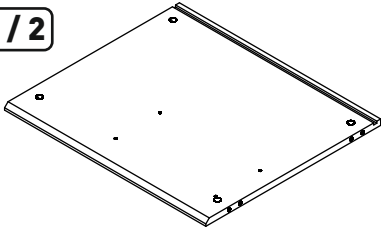


18.40.1205.011 x 2

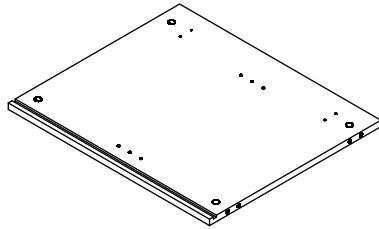


18.40.1205.013 x 2

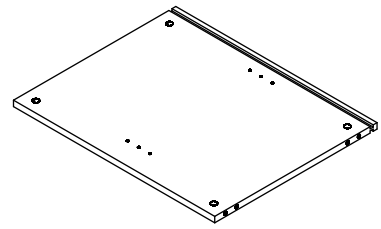
2/2



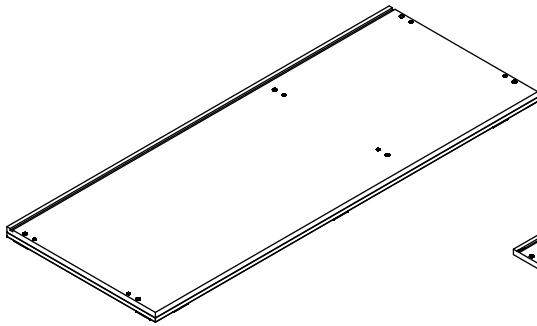
18.40.1205.001 x 1



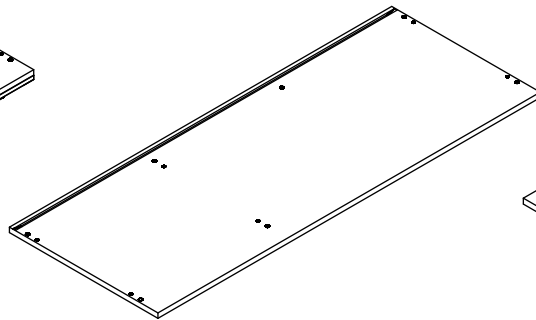
18.40.1205.002 x 1



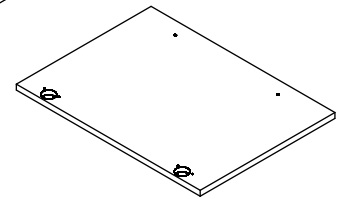
18.40.1205.005 x 1



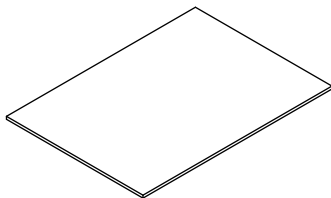
18.40.1205.003 x 1



18.40.1205.004 x 1

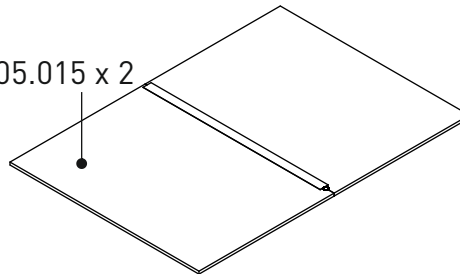


18.40.1205.006 x 1

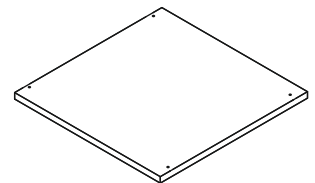


18.40.1205.016 x 1

18.40.1205.015 x 2



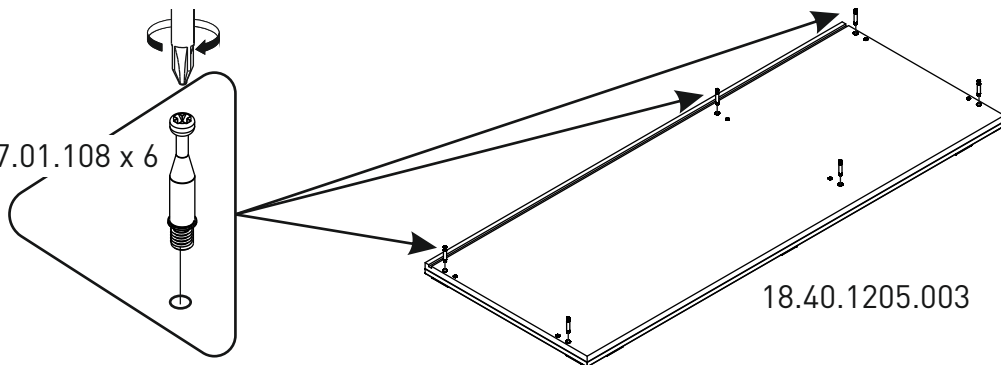
18.40.1205.017 x 1



18.40.1205.007 x 1

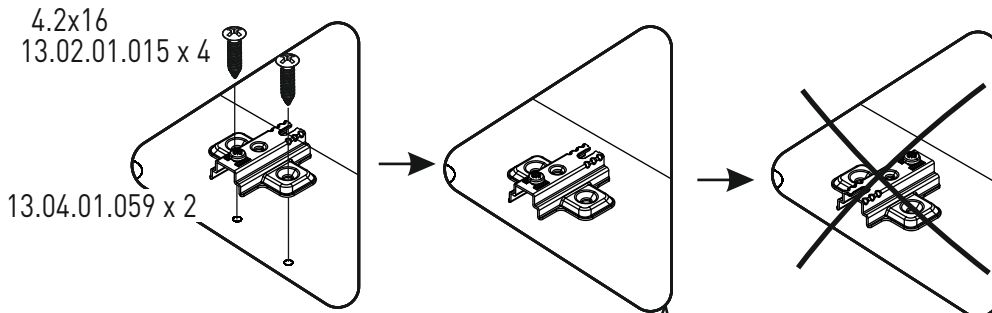
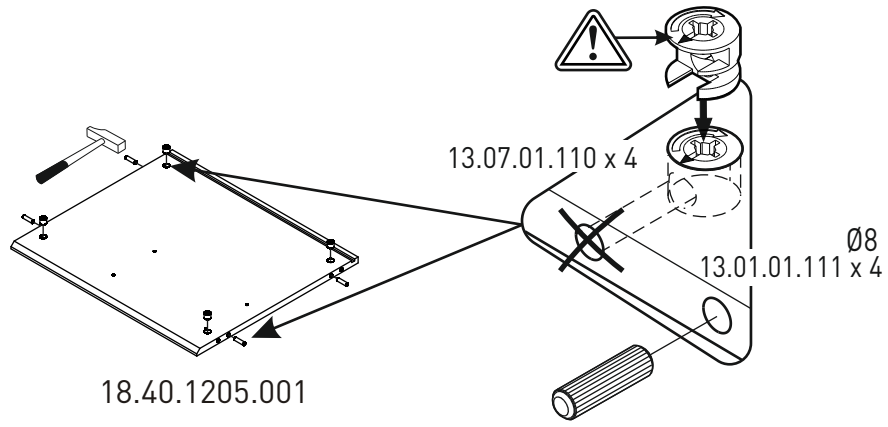
1

13.07.01.108 x 6

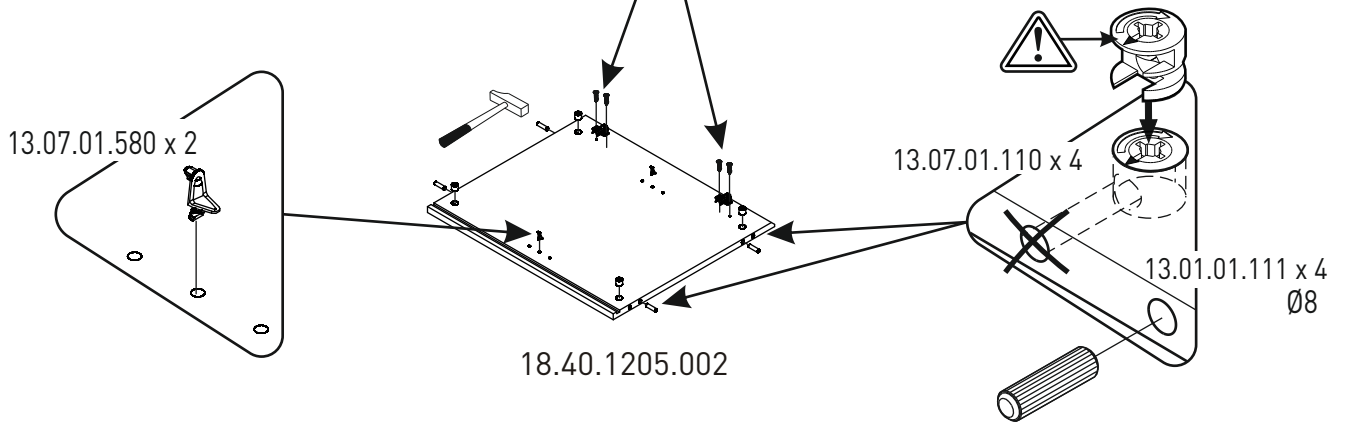


18.40.1205.003

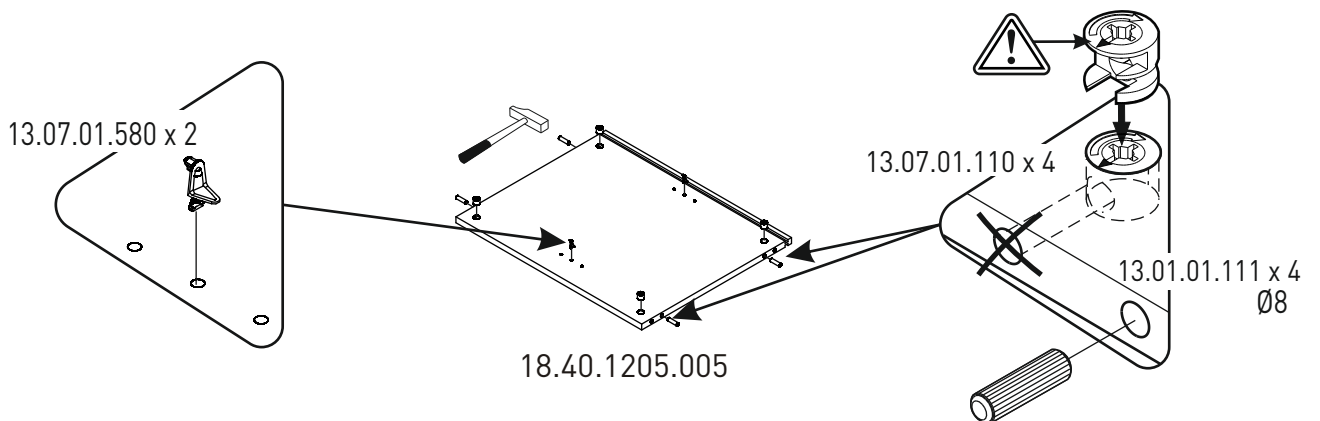
2



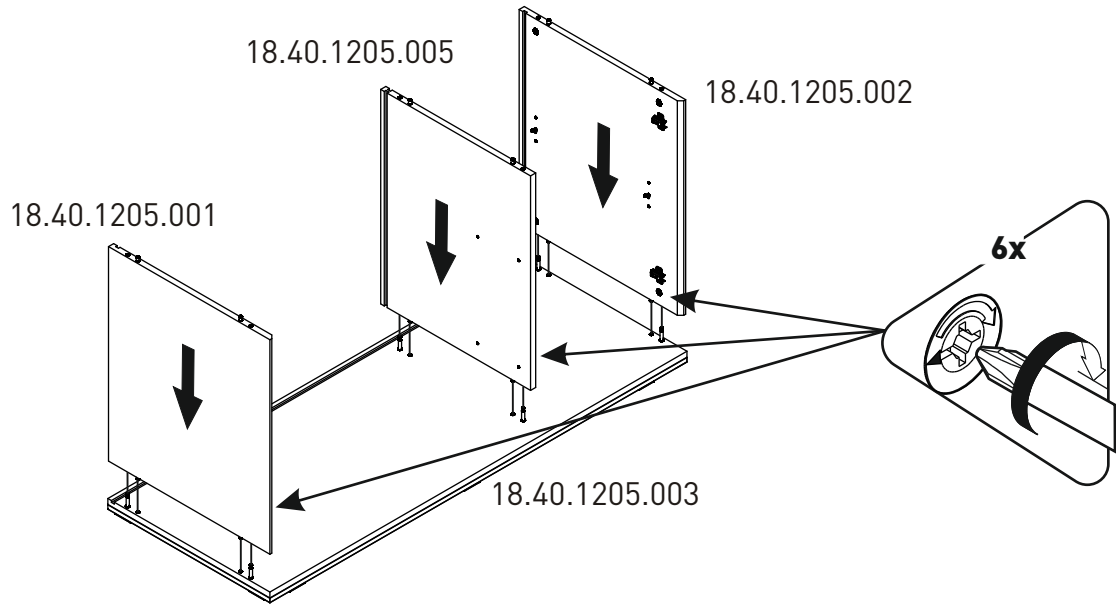
3



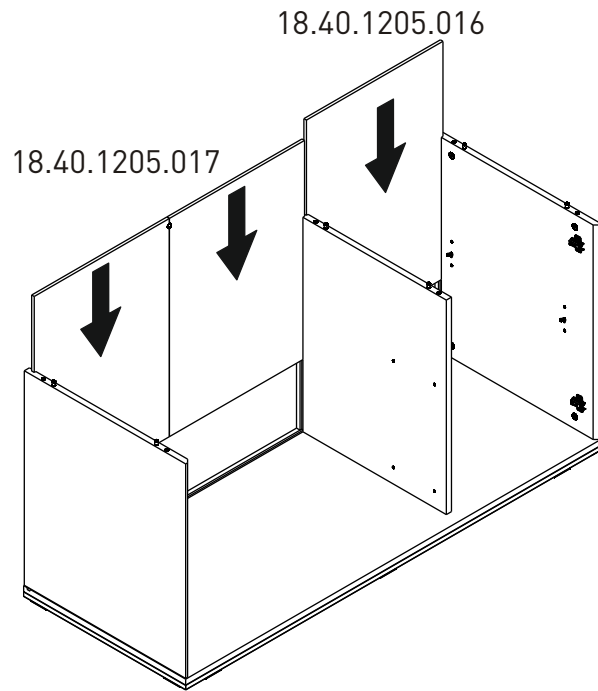
4



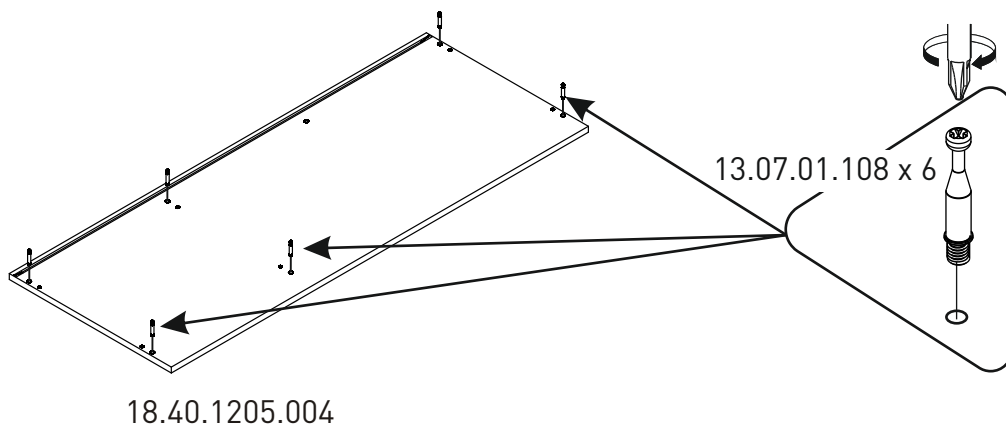
5



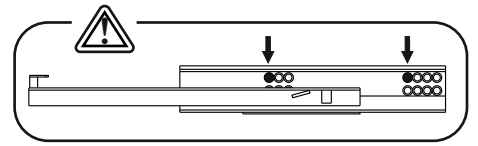
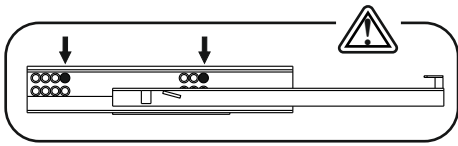
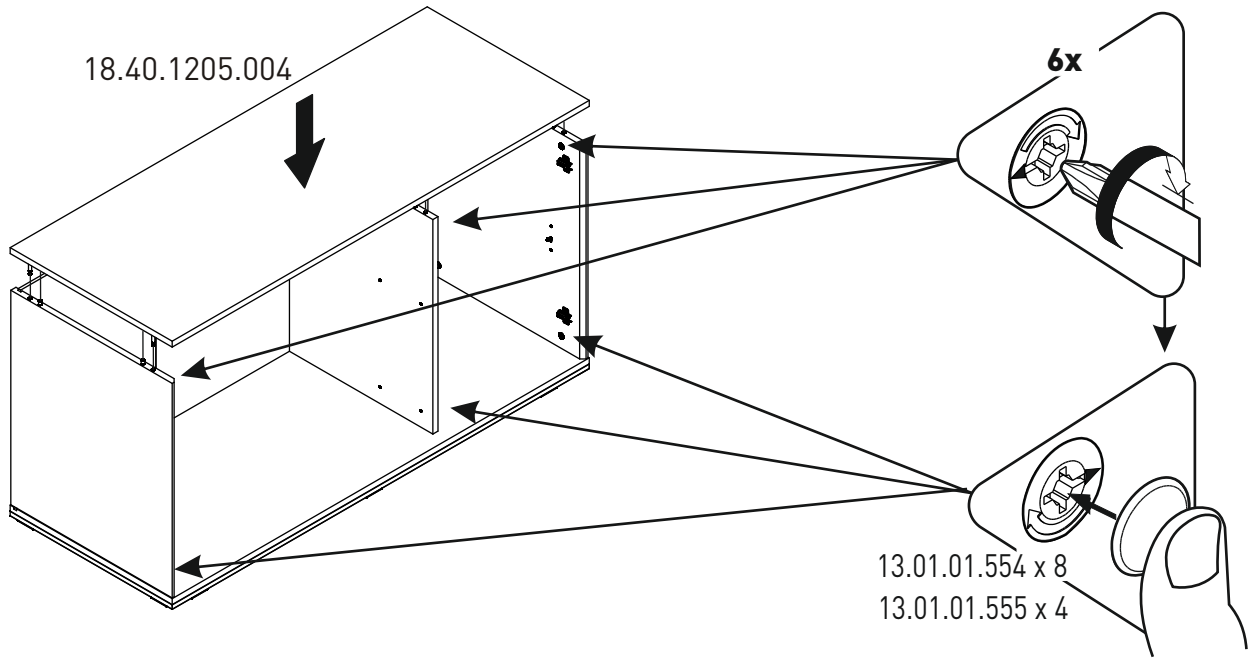
6



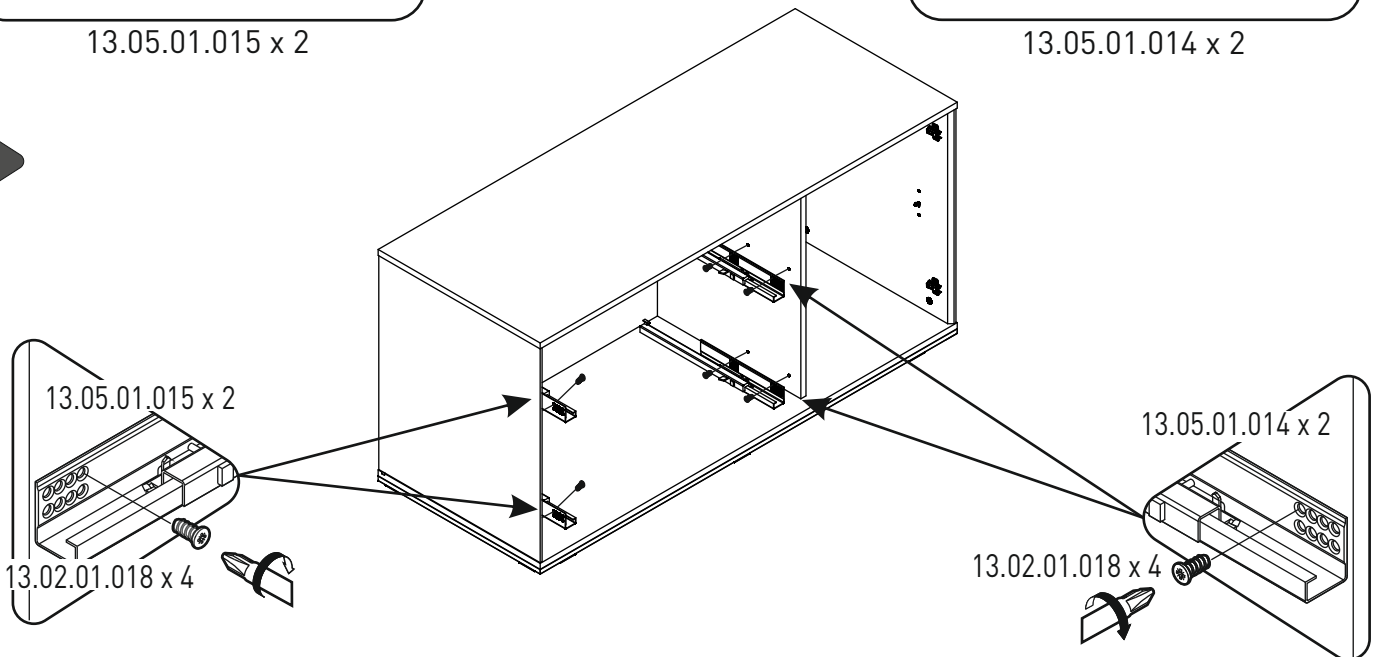
7



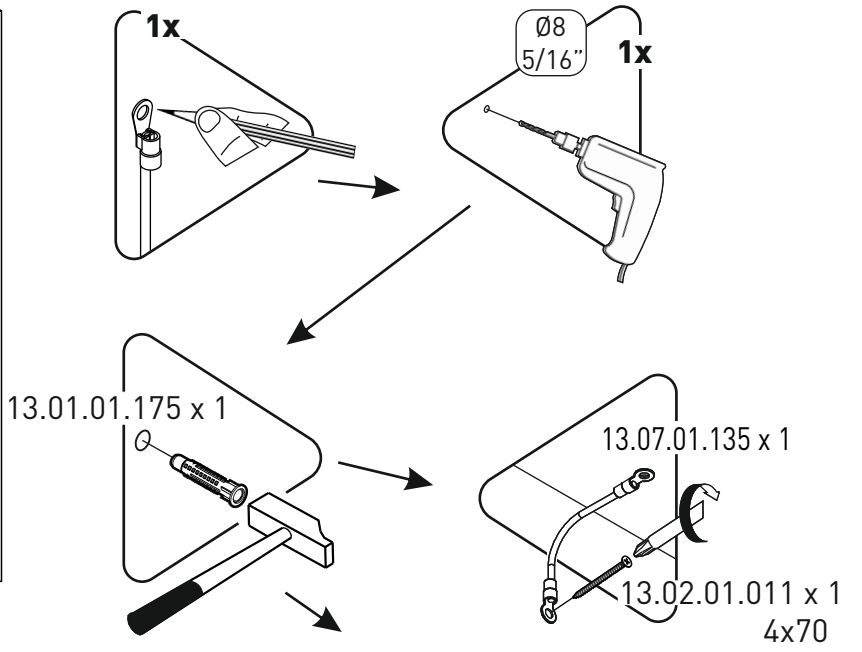
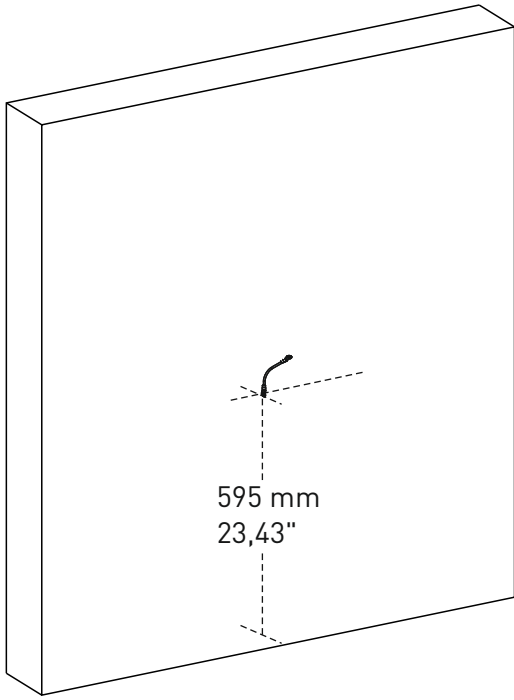
8



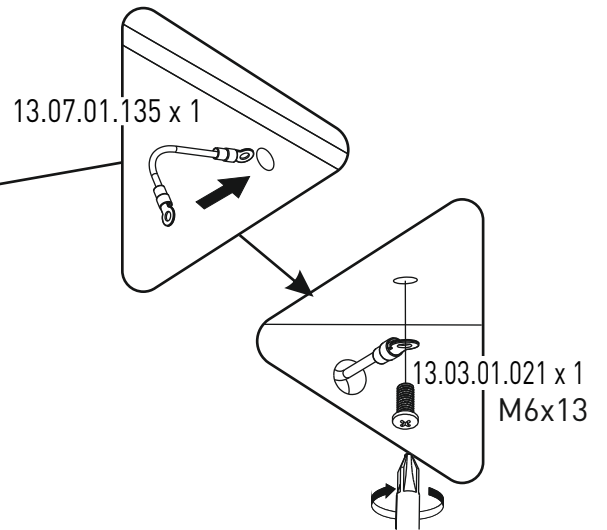
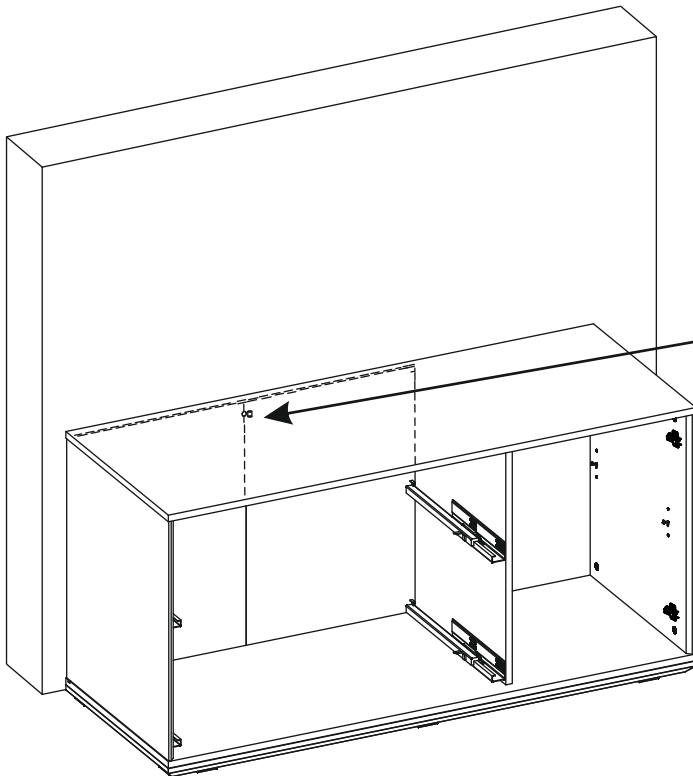
9



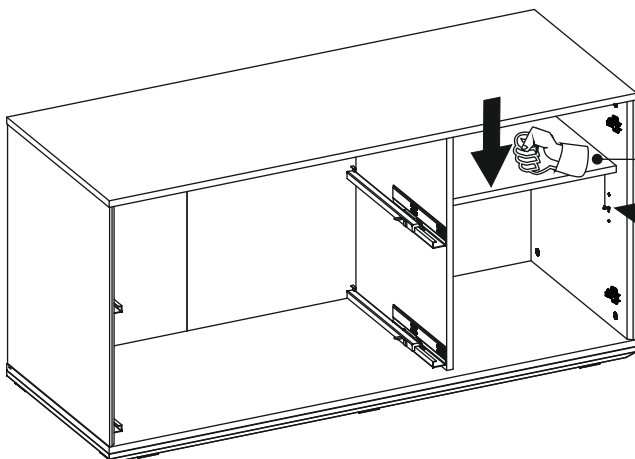
10



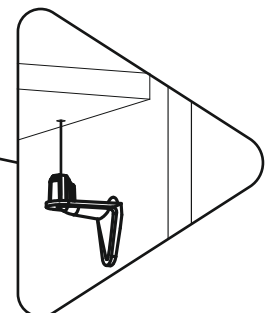
11



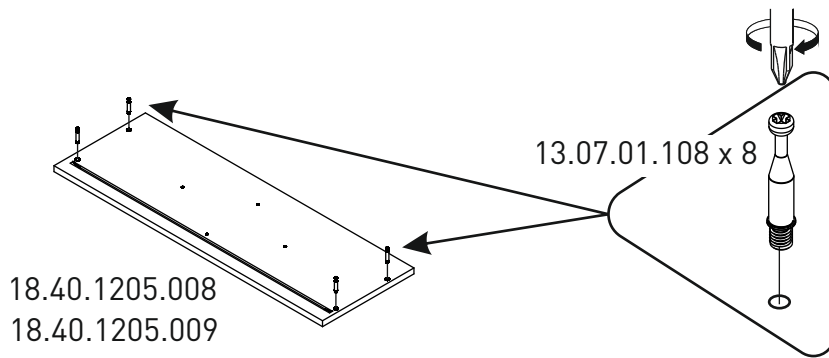
12



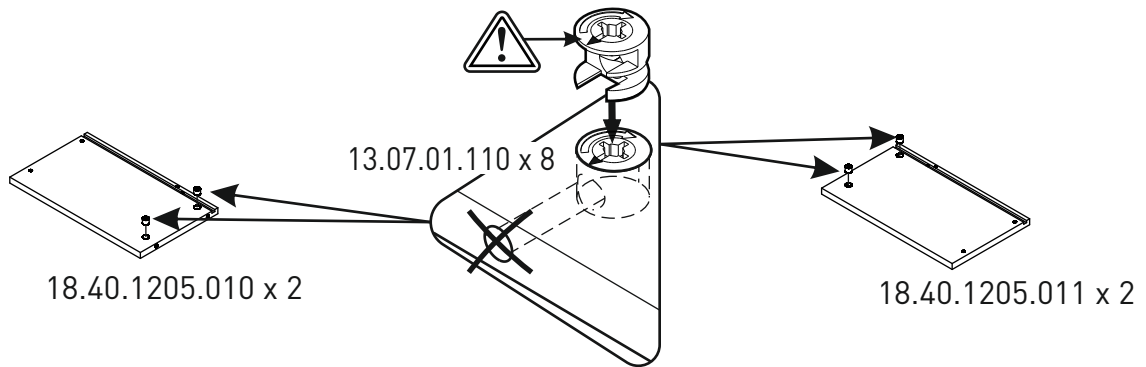
18.40.1205.007



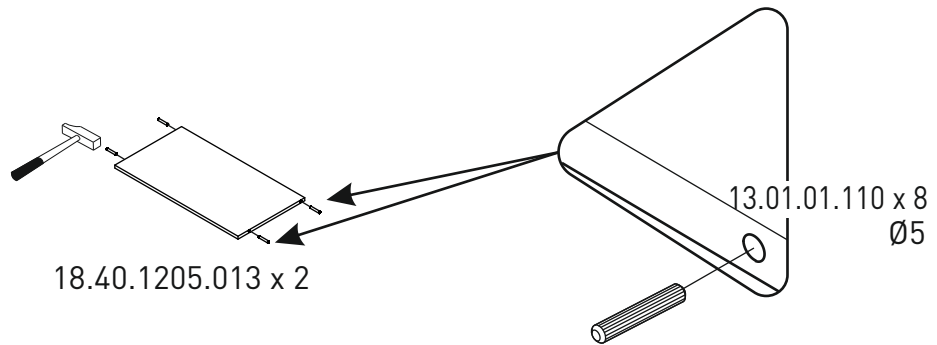
13



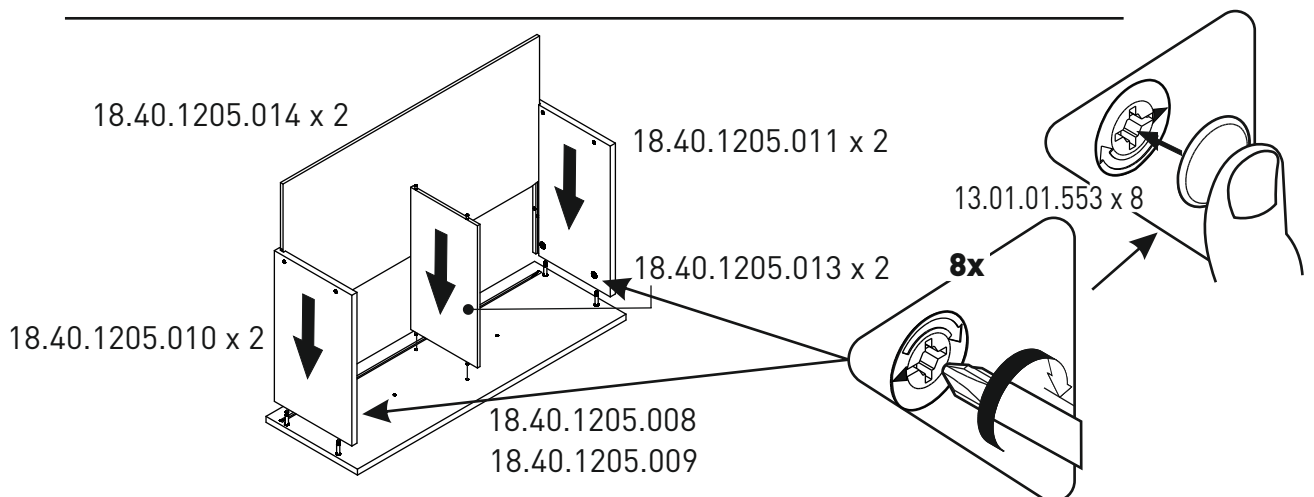
14



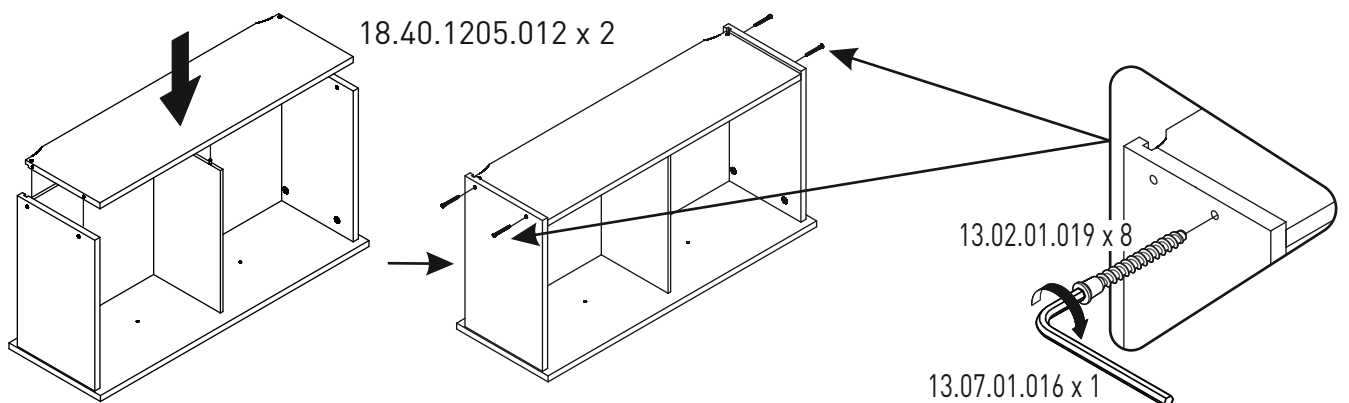
15



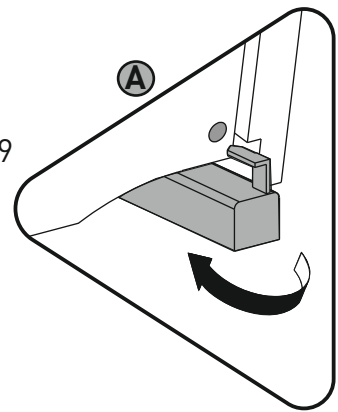
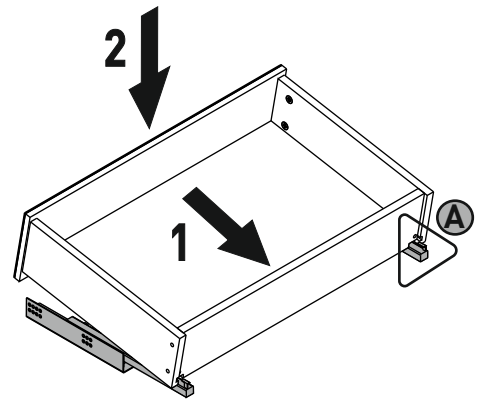
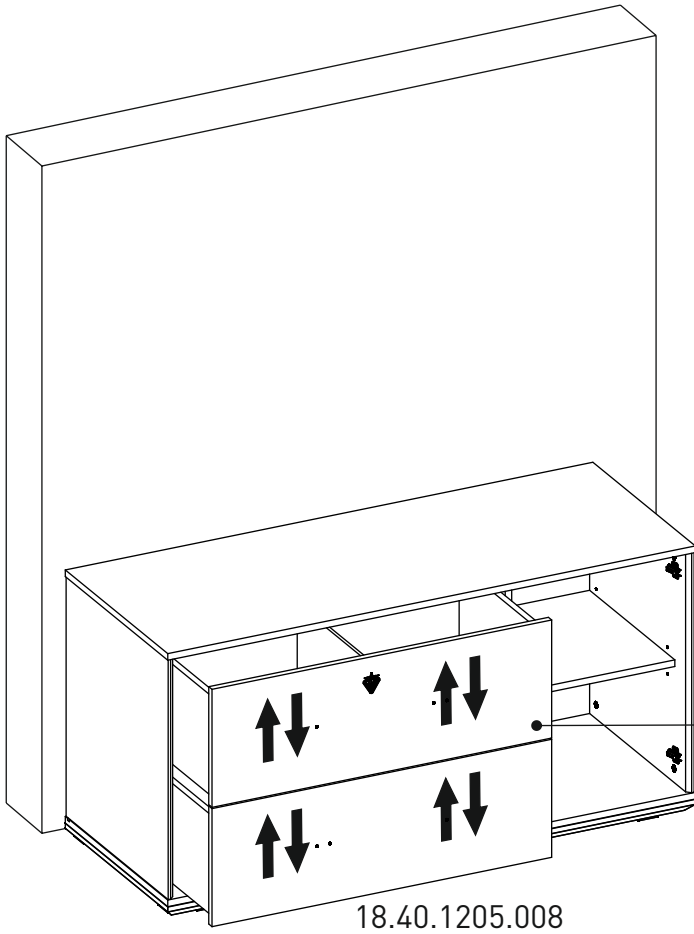
16



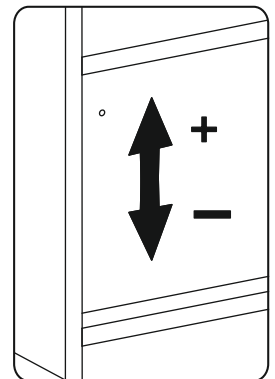
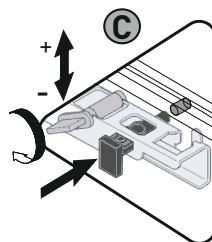
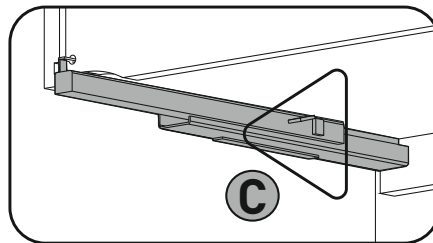
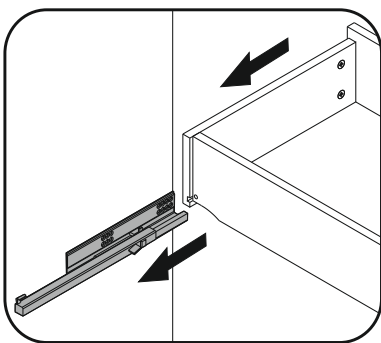
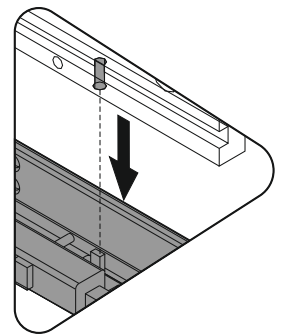
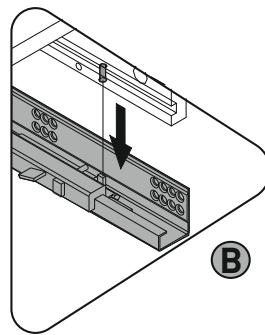
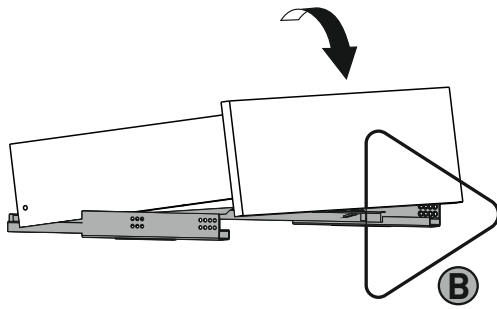
17

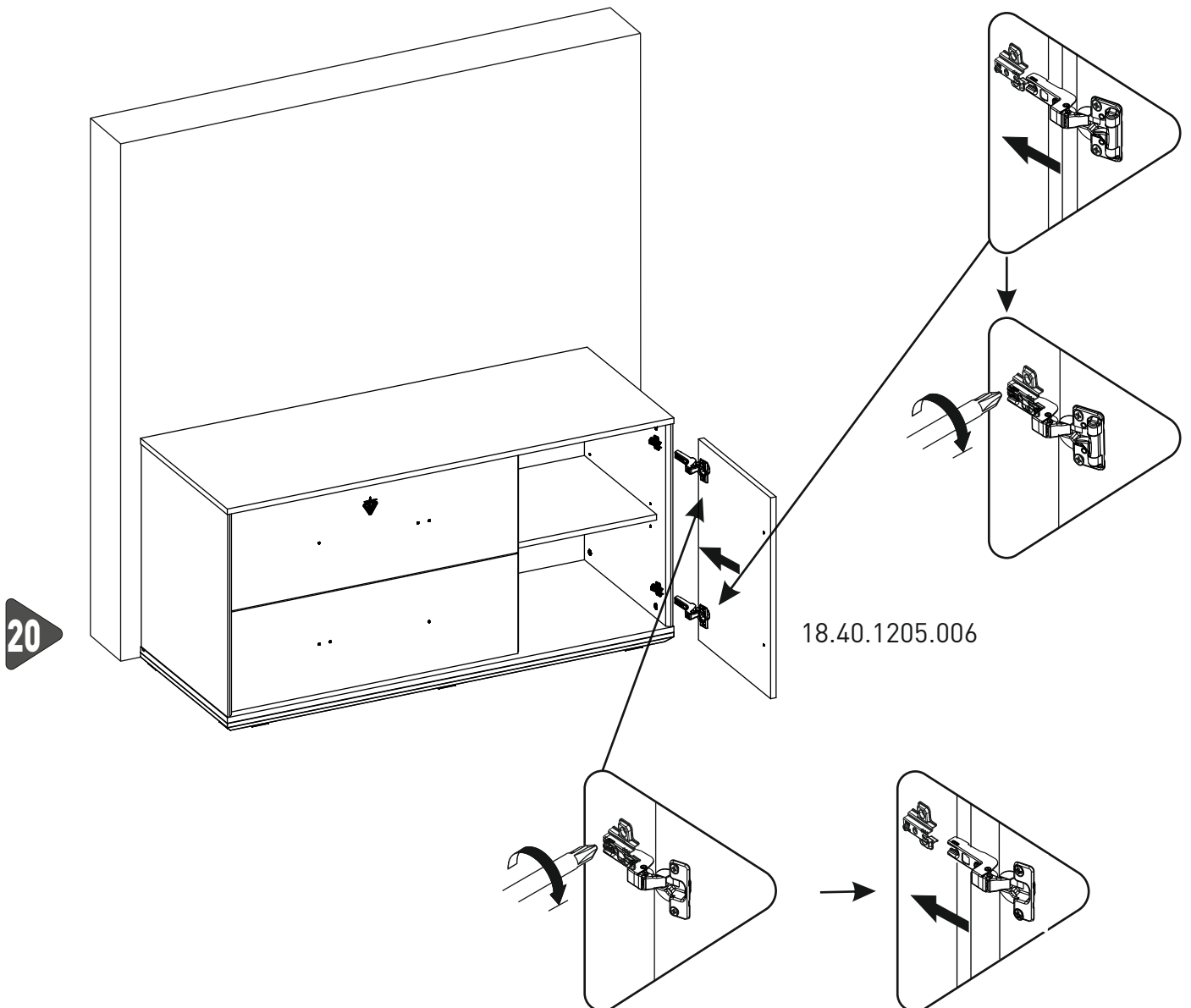
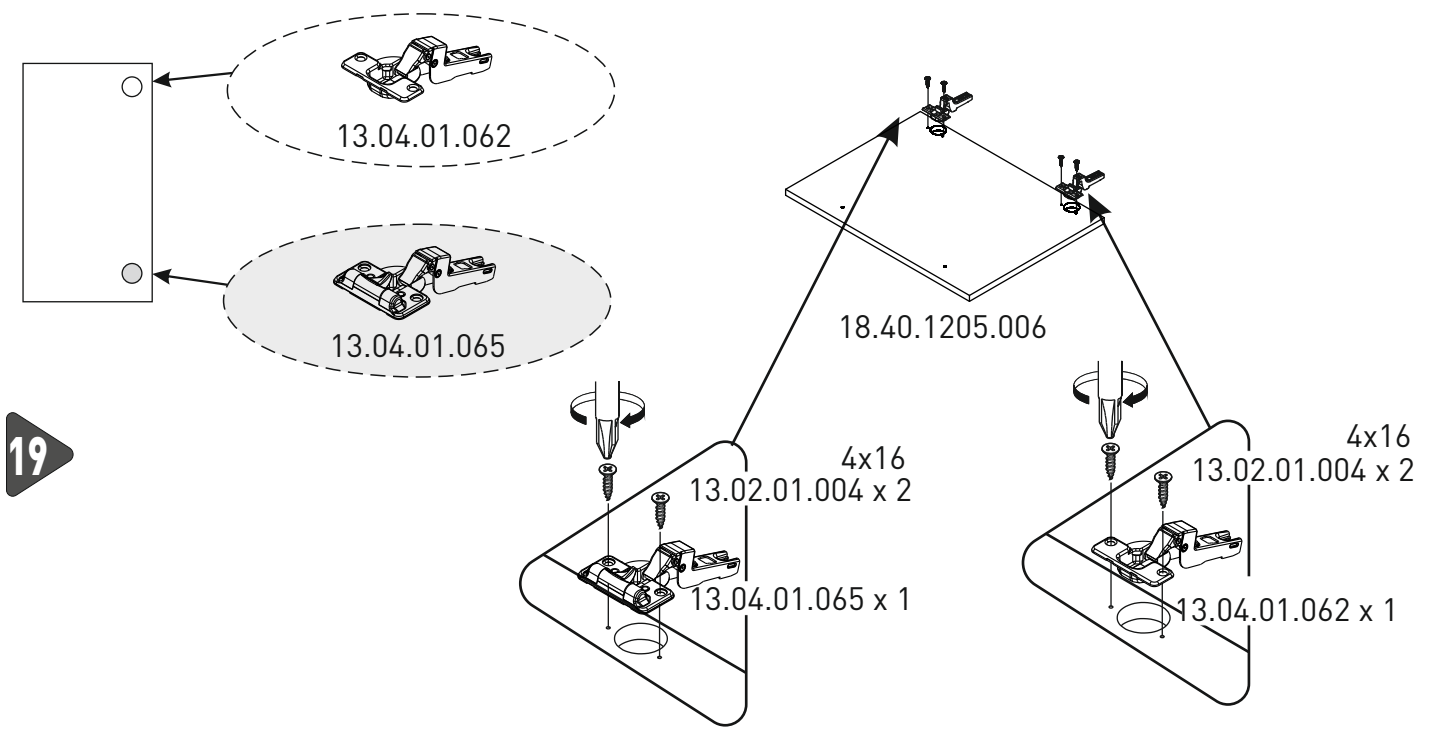




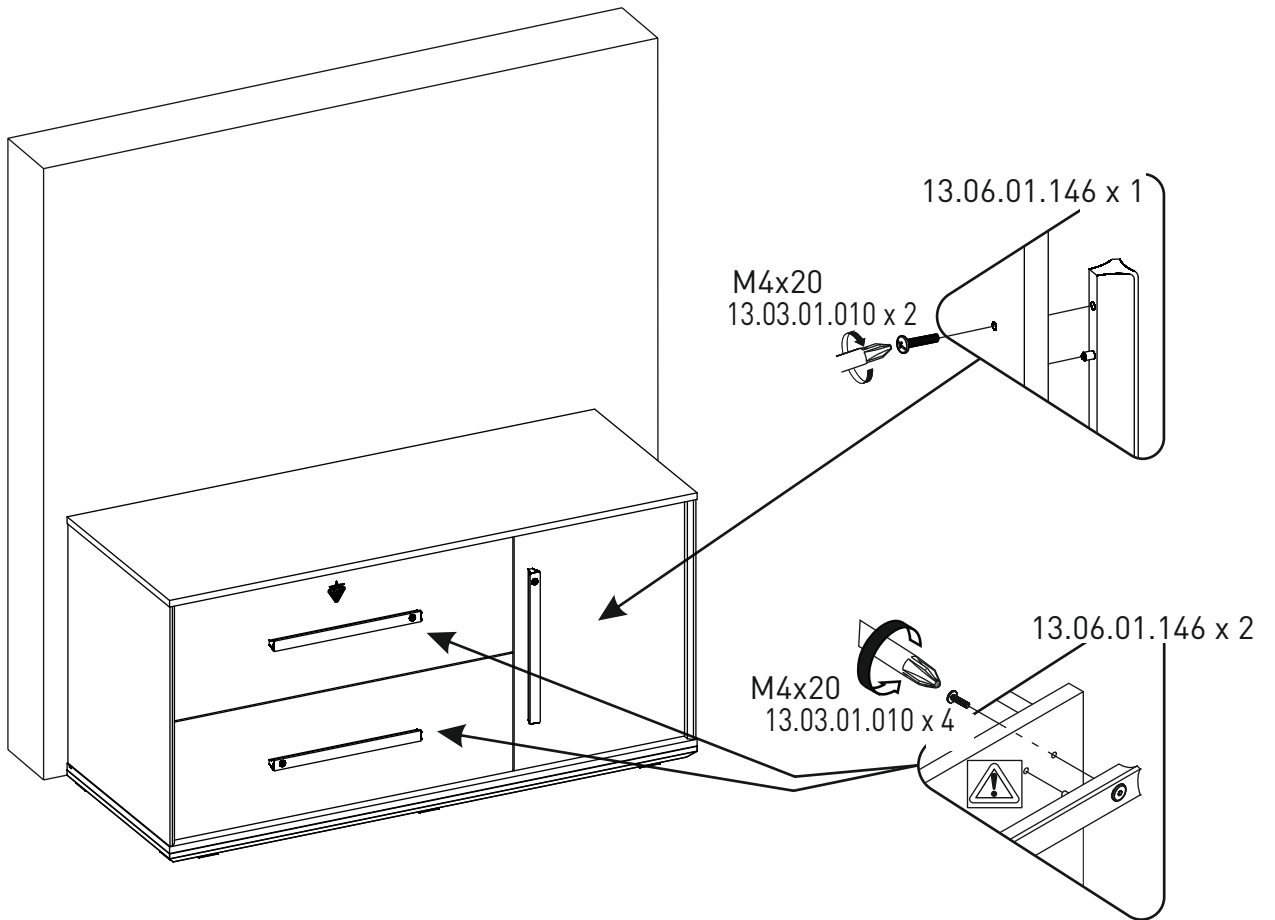


18





21



!

